

PLAN  
ELEVATION  
DETAIL OF METAL GRATE

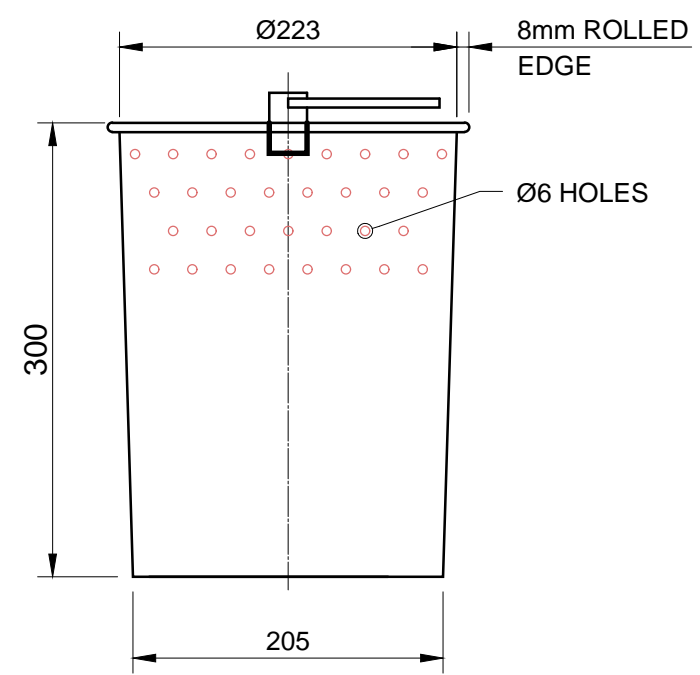
**NOTES**

1. DIMENSIONS SHOWN ARE MINIMUM ACCEPTABLE SIZE ONLY.
2. BODY TYPE IS THE SAME FOR TYPE 'A' AND 'C' BUCKETS.
3. ALL DIMENSIONS SHOWN IN MILLIMETRES.

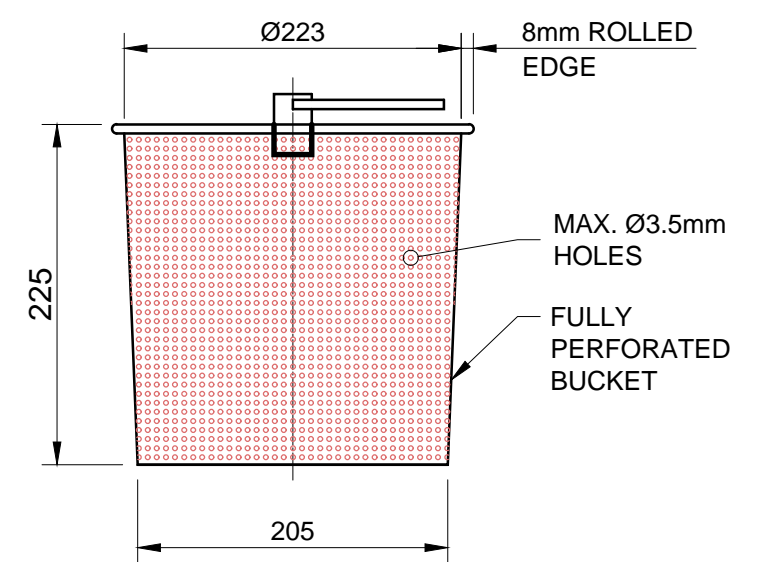
TYPE A - BUCKET TO BE USED WHERE THERE IS FISH PROCESSING, VEGETABLE PROCESSING, BIN WASH AREAS, MOTOR TRADES AND WASH BAYS. PLEASE NOTE THESE BUCKETS MAY FORM PART OF A PRE-TREATMENT SYSTEM.

TYPE C - BUCKET TO BE USED IN ALL OTHER PROCESSES i.e. VEGETABLE PROCESSING, BUTCHERING ETC.

FOR FURTHER ADVICE CONTACT TASWATER TRADE WASTE SECTION.



TYPE 'A' BUCKET



TYPE 'C' BUCKET

**THESE STANDARD DRAWINGS ARE PROVIDED AS A GUIDE.  
THE DESIGNER SHOULD ENSURE THAT THE PRETREATMENT SOLUTION IS  
DESIGNED TO ENSURE COMPLIANCE WITH TASWATER DISCHARGE QUALITY  
REQUIREMENTS AND ALL OTHER REGULATORY REQUIREMENTS**

**TO BE READ IN CONJUNCTION WITH TASWATER PRETREATMENT GUIDELINES**

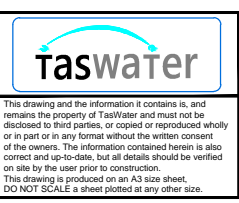
Revision Notes				
1 - GENERAL UPDATE. SEE HPE RECORD NO. 19/136338				
B - INITIAL ISSUE				
Rev.	1	Date	13/11/19	Approved
				Greg Cooper



Scale	NTS
Datum	-
Sheet Size	A3
References	

Drawn	PH	24/9/2015
Designed	GC	24/9/2015
Verified	AD	6/10/2015
Project No.	-	Discipline
Vault Folder	© 2015	
HPRM File Ref.	T15/161-002-0001	

DRAWING ISSUE  
**NOT FOR CONSTRUCTION**



TASWATER STANDARD DRAWING TRADE WASTE TYPICAL DRAWING BUCKET TRAP			
TASMANIAN WATER & SEWAGE CORPORATION PTY LTD ABN: 47 162220 653			
Sheet Number	2	Revision	1
Drawing Number	TWS-C-0001		